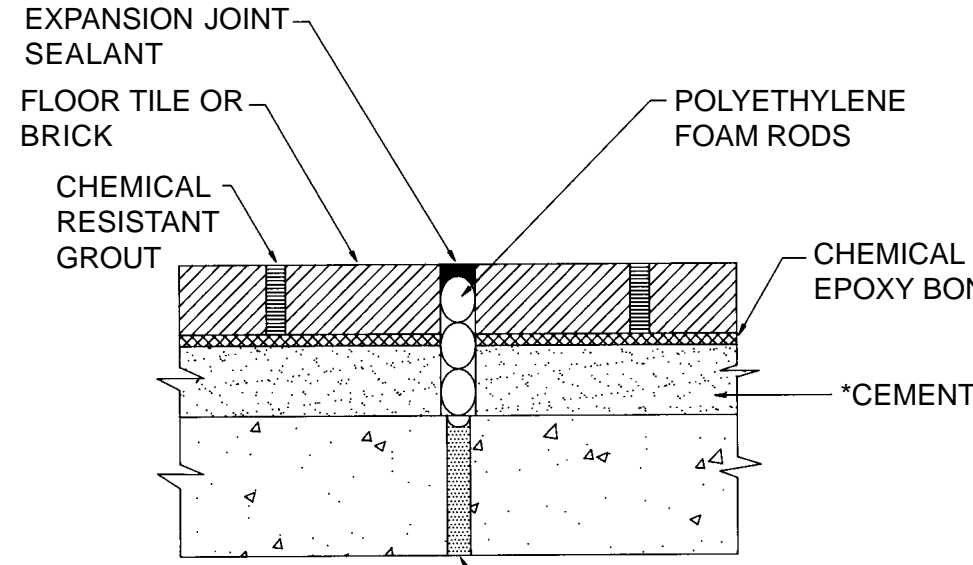


FLOOR TILE OR BRICK  
 EXPANSION JOINT SEALANT  
 POLYETHYLENE FOAM RODS  
 CHEMICAL RESISTANT GROUT  
 CHEMICAL RESISTANT EPOXY BOND COAT  
 \*CEMENT MORTAR BED WITH WIRE REINFORCEMENT

CLEAVAGE MEMBRANE OR CHEMICAL RESISTANT MEMBRANE  
 STRUCTURAL JOINT SEALANT AND BACKUP



EXPANSION JOINT SEALANT  
 FLOOR TILE OR BRICK  
 POLYETHYLENE FOAM RODS  
 CHEMICAL RESISTANT GROUT

CHEMICAL RESISTANT EPOXY BOND COAT  
 \*CEMENT MORTAR BED

STRUCTURAL JOINT SEALANT AND BACKUP

\* Note: ANSI A108.1 describes the installation & materials for a cured portland cement mortar bed when tile are to be set.



Atlas Minerals & Chemicals, Inc.  
 1227 Valley Road • P.O. Box 38 • Mertztown, PA 19539-0038  
 Phone 610-682-7171 • Fax 610-682-9200 • www.atlasmin.com

CEMENT MORTAR BED WITH CHEMICAL RESISTANT JOINTS

SCALE: NONE	DRAWING NO.
DATE: 3-98 (Supersedes 4-91)	8-113DG

Consult ATLAS' Technical Service Department for specific recommendations.